

Designer Series

product specifications

POU drinking water faucet

Everpure designer drinking water faucets deliver a steady stream of premium quality filtered water from Everpure commercial grade water filtration systems. These separate filter faucets are available in eight stunning finishes and colors to match today's high end kitchen faucets.

For commercial grade water filtration

it's water filtration you can trust

The same commercial quality that makes Everpure the overwhelming choice for water filtration in restaurants is also available for your home. Everpure's exclusive precoat filtration technology combines Micro-Pure and a unique pleated filter membrane to reduce particles as small as 0.5 micron. This highly engineered design offers the largest filtering surface area, longer life and consistent performance.



Chrome

Everpure Designer Drinking Water Faucets feature:

- > Sleek versatile design
- > Selection of eight beautiful finishes to match the most popular designer faucets
- > Lead-free
- > Forged brass construction
- > Aerator tip provides even, clear stream of filtered water
- > Ceramic disc type valve
- > Easy Installation
- > 0.5 GPM flow
- > Certified to NSF/ANSI 61
- > RO compatible with the use of a separate air gap



Antique Brass



Brushed Nickel



Antique Wine



Satin Nickel



Bright Black



Oil Rubbed Bronze



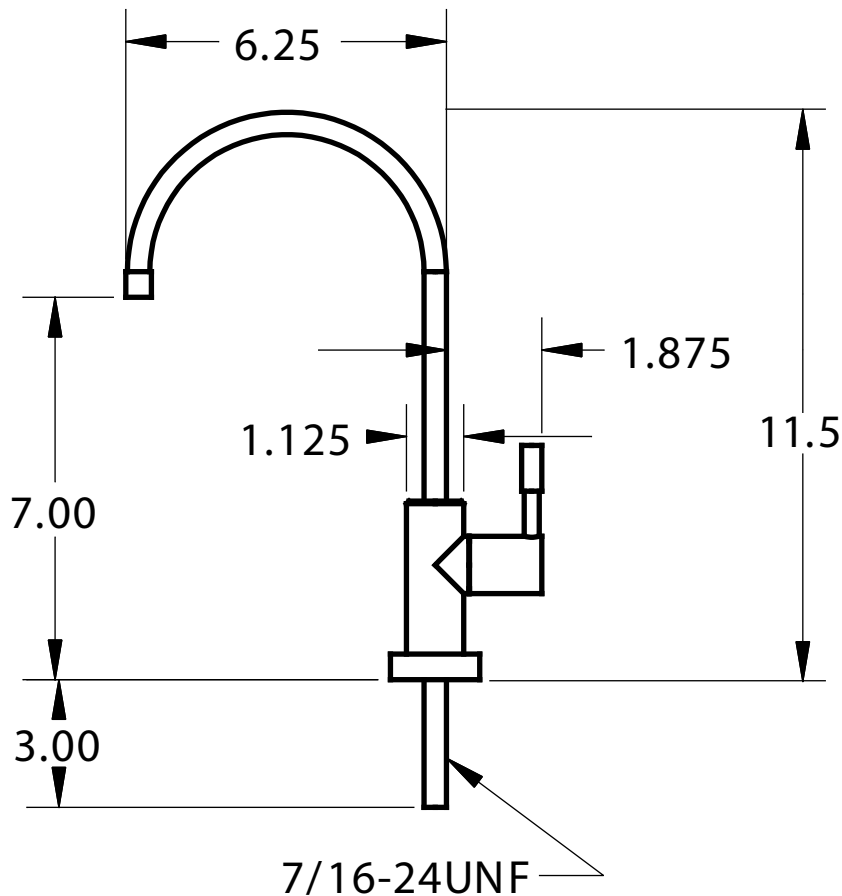
Bright Golden

EVERPURE
WATER YOU CAN TRUST

Designer Series

product specifications
POU drinking water faucet

Chrome Finish – Part No. EV9000-90
Antique Brass Finish – Part No. EV9000-91
Antique Wine Finish – Part No. EV9000-92
Bright Black Finish – Part No. EV9000-93
Brushed Nickel Finish – Part No. EV9000-94
Oil Rubbed Bronze Finish – Part No. EV9000-95
Satin Nickel Finish – Part No. EV9000-96
Bright Golden Finish – Part No. EV9000-97



flow rate

0.5 gal./min. (1.9 L/min.)

operating pressure

20 to 90 psi

temperature

50 to 90 °F (10 to 35 °C)

installation

0.50" or standard sink hole installation

everpure warranty

This faucet is warrant to be free of defect and workmanship defect for 5 years. The coated finish is warranted for 3 years. After 3 years, depending on local water conditions and/or cleaning agents used, the coating may not be as bright as new. For general cleaning, use a soft damp cloth. The use of cleaning chemicals is not recommended.

Everpure, LLC
1040 Muirfield Drive
Hanover Park, IL 60133 USA
Phone: (630) 307-3000
FAX: (630) 307-3030
Customer Service: (800) 323-7873
Technical Service: (800) 942-1153
www.everpure.com



Certified to NSF/ANSI 61
Section 9

EVERPURE
WATER YOU CAN TRUST